

Straight Integrated Power terminal - Ring Tongue

High voltage , high current , 50-120mm² wire, shielded-ring tongue.

Part-No.:

- SIPT1PX50 (50 mm² Ø15.2~15.8)
 - SIPT1PX70 (70 mm² Ø17.4~18.2)
 - SIPT1PX95 (95 mm² Ø20.1~20.9)
 - SIPT1PX12 (120 mm² Ø22.2~23)
- "X" indicates code 1/2/3

Description:

- Sealed
- Ring tongue
- Wire range : 50-120mm²
- Wire to device

Application:

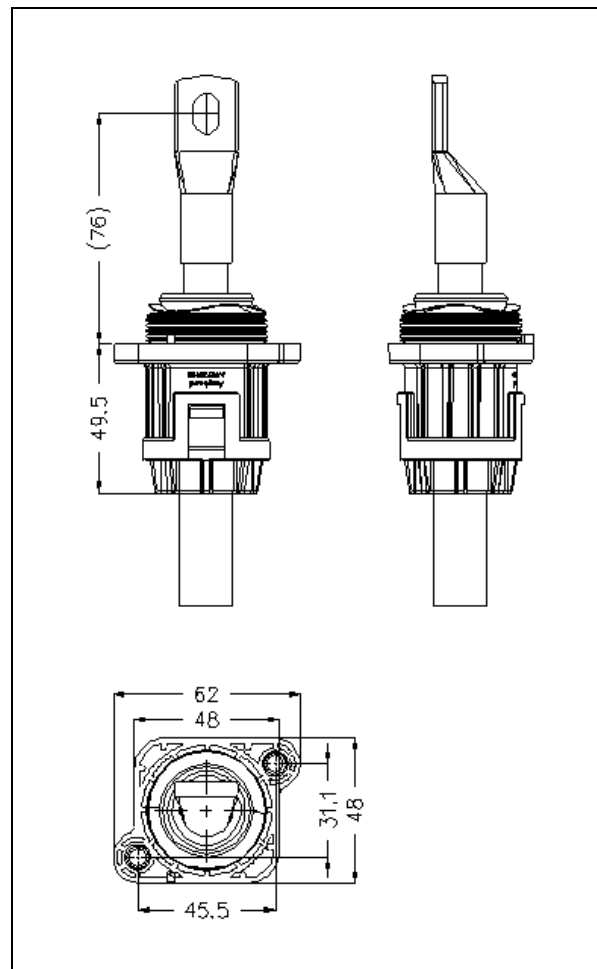
- Accessory/main interconnect

General:

- IP67, IP6K9K
- 360° EMC shielding
- High voltage



Dimensional characteristics:



Performance characteristics:

- Temperature range : -40°C to +140°C
- Voltage : 1000V DC
- Current capacity : (@85°C)
 - 50mm²=270A
 - 70mm²=330A
 - 95mm²=400A
 - 120mm²=470A

Construction:

- Housing material : PA66-GF V0, orange
- RFI/EMI protection : metal shielding